

CAST IRON TOP AND BASIN LAVATORY **K-3051**

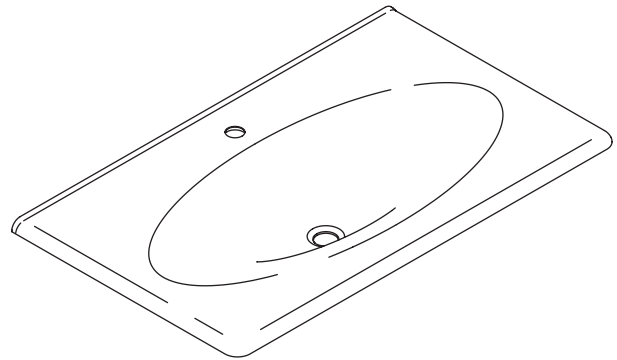
Features

- KOHLER cast iron
- Integrated top and basin
- Without overflow
- 8" (20.3 cm) centers (-8), 4" (10.2 cm) centers (-4), or single-hole (-1)
- 37-5/8" (95.6 cm) x 22-1/4" (56.5 cm)

Codes/Standards Applicable

Specified model meets or exceeds the following:

- IAPMO/UPC
- CSA B45
- ASME A112.19.1M



Colors/Finishes

- 0: White
- Other: Refer to Price Book for additional colors/finishes

Specified Model

Model	Description	Colors/Finishes	
K-3051-1	Cast iron top and basin lavatory with single-hole	<input type="checkbox"/> 0	<input type="checkbox"/> Other_____
K-3051-4	Cast iron top and basin lavatory with 4" (10.2 cm) centers	<input type="checkbox"/> 0	<input type="checkbox"/> Other_____
K-3051-8	Cast iron top and basin lavatory with 8" (20.3 cm) centers	<input type="checkbox"/> 0	<input type="checkbox"/> Other_____

Recommended Vanity			
K-2452	Vanity, 36" (91.4 cm) length	<input type="checkbox"/> F7	<input type="checkbox"/> F8
K-2455	Vanity, 36" (91.4 cm) length		<input type="checkbox"/> F9
K-2459	Vanity, 36" (91.4 cm) length		<input type="checkbox"/> F10

Recommended Accessories			
K-9018	P-Trap	<input type="checkbox"/> CP	<input type="checkbox"/> Other_____

Product Specification:

The lavatory shall be 37-5/8" (95.6 cm) in length and 22-1/4" (56.5 cm) in width. Lavatory shall be made of cast iron. Lavatory shall have integrated top and basin. Lavatory shall be without overflow. Lavatory shall be available with 8" (20.3 cm) centers (-8), 4" (10.2 cm) centers (-4), or single-hole (-1). Lavatory shall be Kohler Model K-3051-____-____.

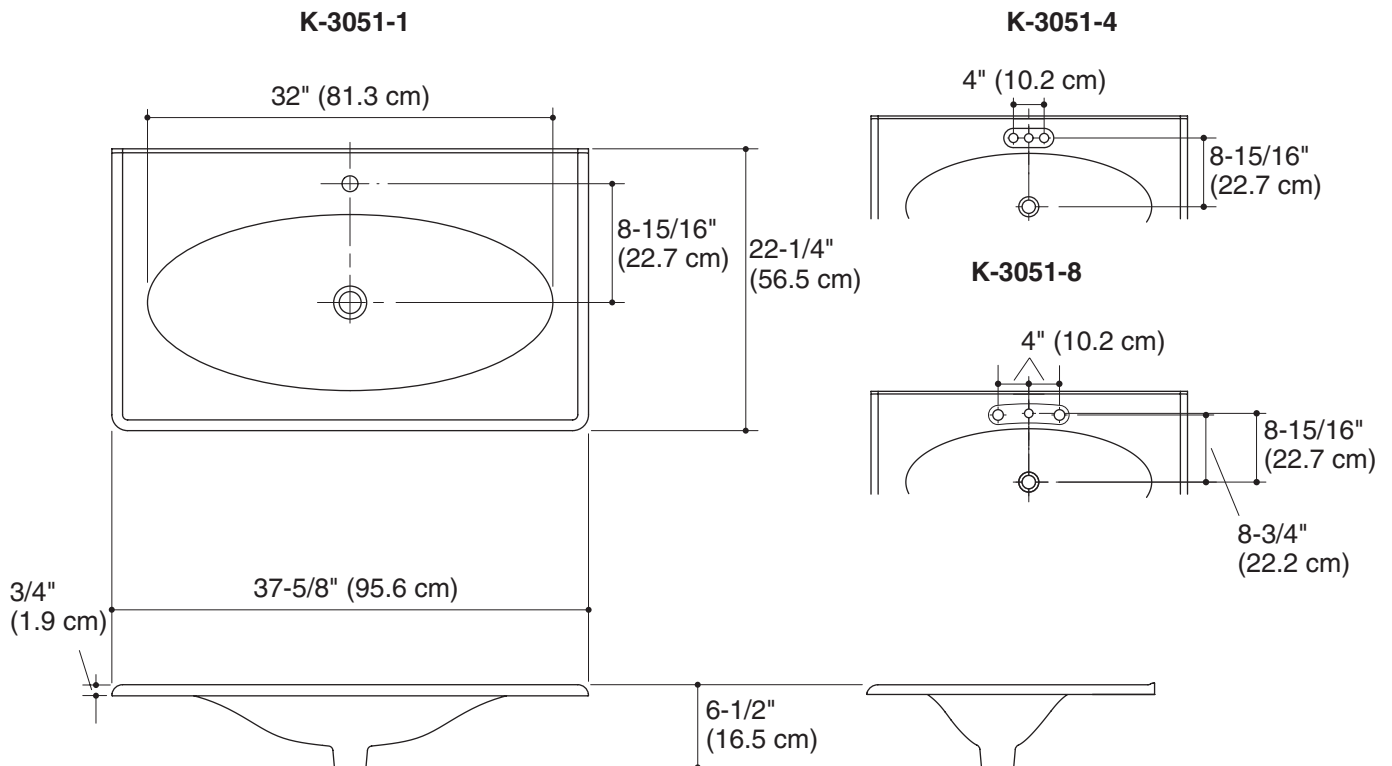
IRON/IMPRESSIONS™

Technical Information

Fixture*:	
Lavatory	
Basin area	32" (81.3 cm) x 13-7/8" (35.2 cm)
Water depth	4-1/2" (11.4 cm)
Drain hole	1-3/4" (4.4 cm) D.
* Approximate measurements for comparison only.	

Installation Notes

Install this product according to the installation guide.
Product does not have an overflow.



Product Diagram

IRON/IMPRESSIONS™ CAST IRON TOP AND BASIN LAVATORY